

KENDALL PUMPS

RELIABLE PUMPS

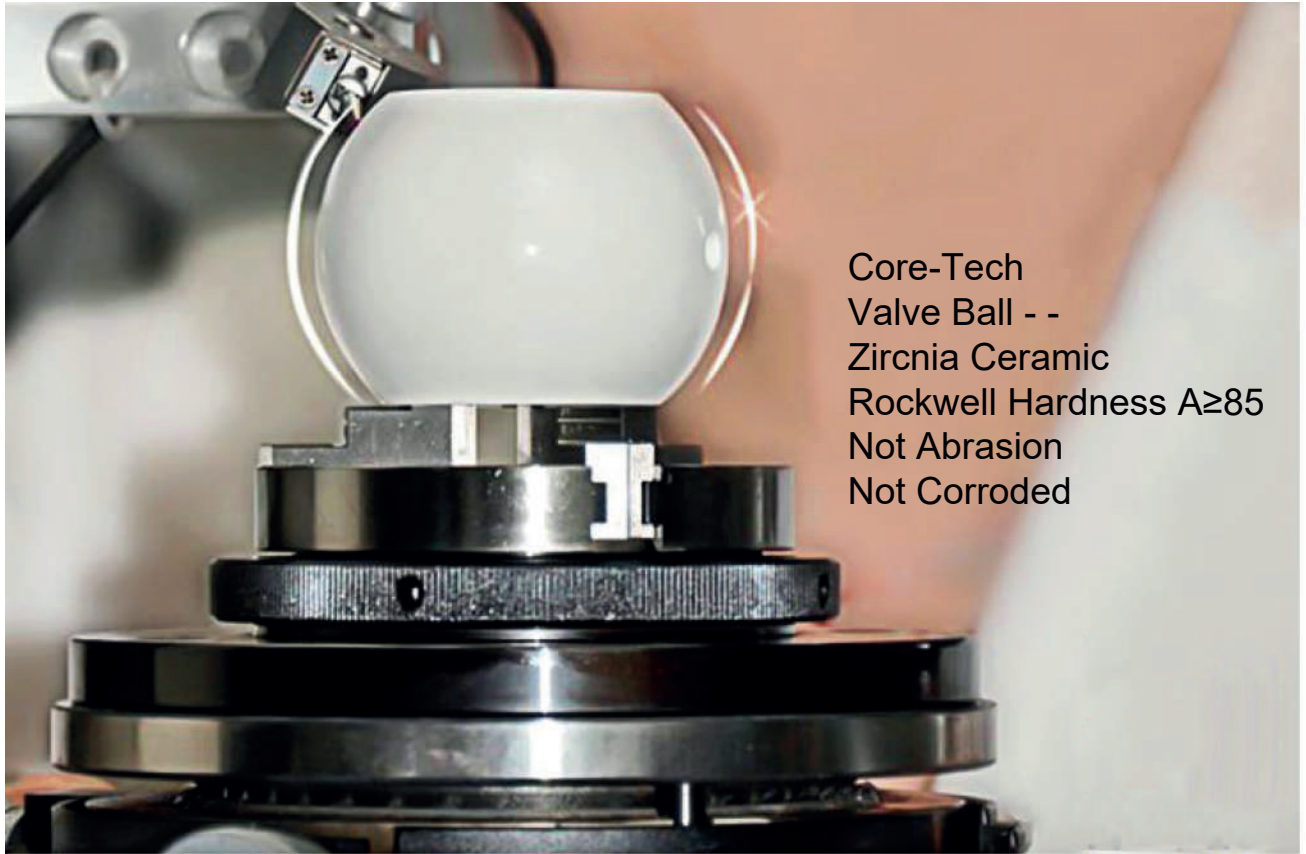


**Mechanical Diaphragm Metering Pump
MW/ML - SERIES**

CONTENTS

OUR CORE TECHNOLOGY	3
Double Check Valve Balls	4
Double Layer Diaphragm.....	4
4 Kinds Materials	5
FLUID CORROSIVE VS MATERIALS LIST	5
PRODUCT CLASSIFICATION & CHARACTERISTICS	6
MW Series - PCV Pump Head	8
MW Series - PVC Pump Head	9
ML Series - PVC Pump Head	9-10
ML Series - PVDF Pump Head	11
ML Series - SS304/SS316 Pump Head	11
MODEL INTRODUCTION.....	12
FOR EXAMPLE	13
MW/ML MODELS & PARAMETERS	14
MW SERIES	15
ML SERIES	16
PARTS OF PUMP SHIPPING TOGETHER	17

◆ OUR CORE TECHNOLOGY

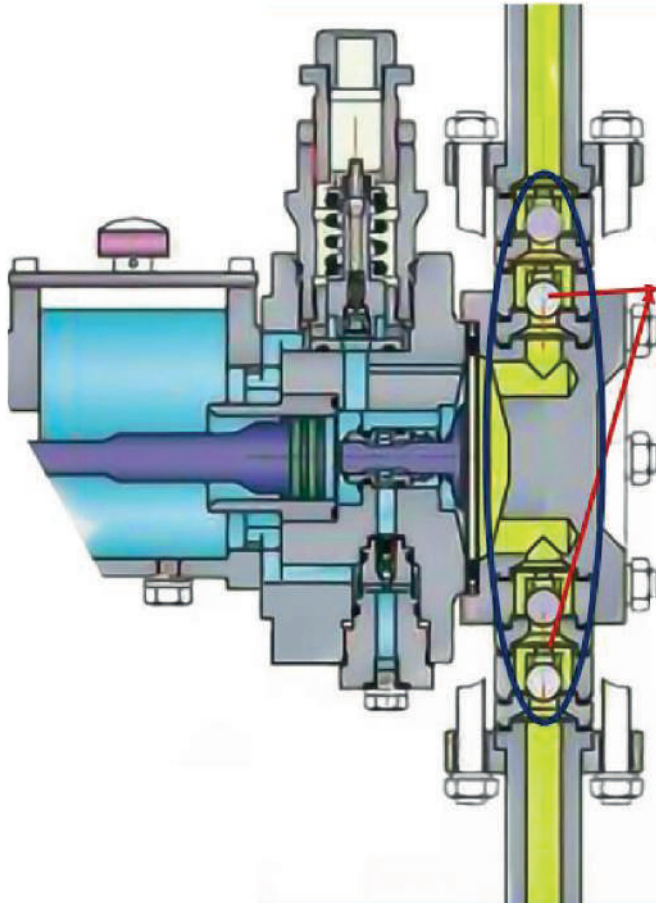


Core-Tech
Valve Ball - -
Zirconia Ceramic
Rockwell Hardness A≥85
Not Abrasion
Not Corroded

- Inlet & Outlet Both Double Check Valve Balls.
- Check Valve Ball and The Valve Set Material---- Zirconia Ceramic.
- Ceramic are sintered at 1680 °C&HRA \geq 85 for long - life pump head no wear and no corrosion



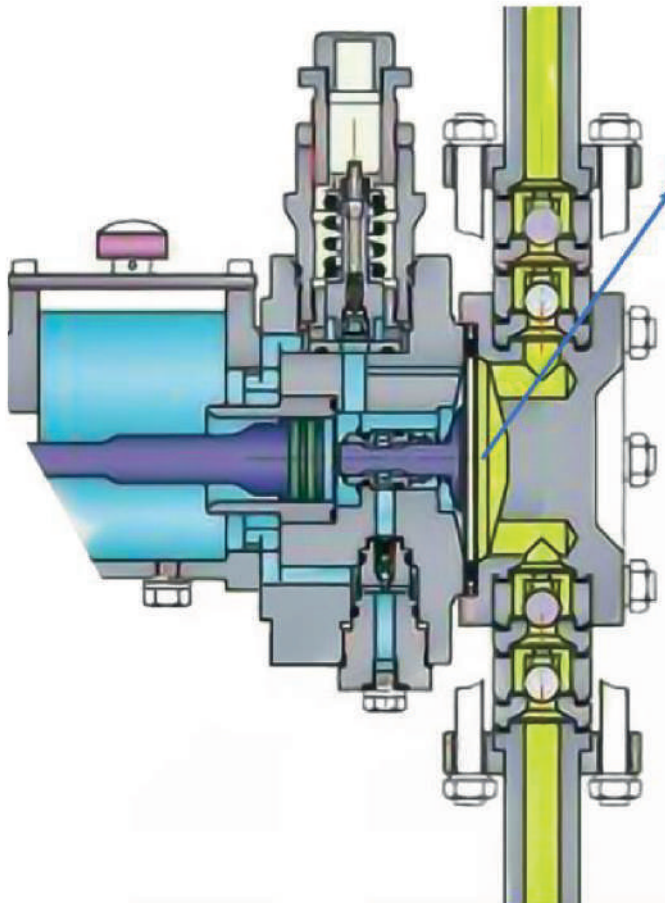
Zirconia Ceramic for
Check Valve Ball
Valve Seat
Valve Guide



Double Check Valve Balls

Input/Output Check Valves
Both With Double Balls.

Double Zirconia Ceramic
Check Balls Just For
Permanent One-way



Double Layer Diaphragm

PTFE + EPDM

Double Diaphragms.

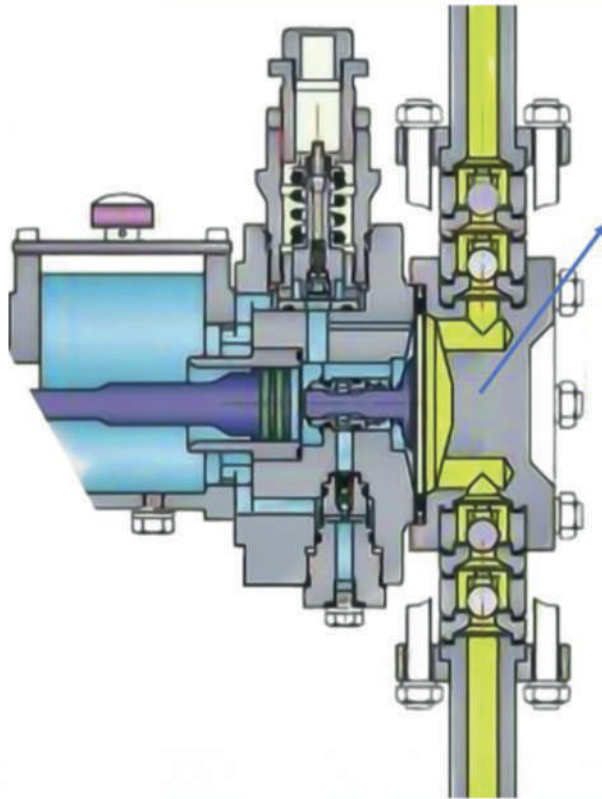
1-PTFE Contact With Liquid

2-EPDM is Not Wet-end

Double Diaphragm

Double Protection

Just For Long Life.



4 Kinds Materials

Pump Head

High-precision mold making
Strong & Never Leakage.

01-PVC

02-PVDF

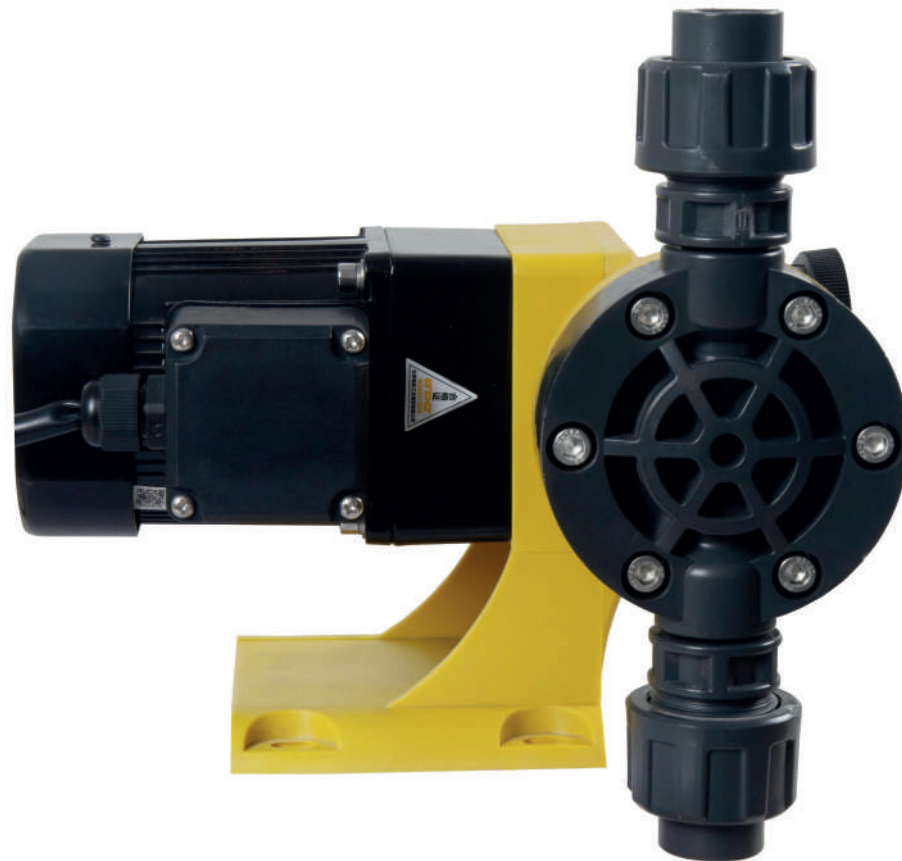
03-SS304

04-SS316

◆ FLUID CORROSIVE VS MATERIALS LIST

Fluid	PVC	SUS304	PVDF	PTFE
CH3COOH(75%)	●	●	●	●
AL2(SO4)3	●	●	●	●
R-NH2	x	●	●	●
Ca(OH)2	●	●	●	●
Ca(OCL)2	●	x	●	●
CuSO4	●	●	●	●
FeCL3	●	○	●	●
HF(40%)	○	x	●	●
HCL	●	x	●	●
H2O2(30%)	●	●	●	●
HNO3(65%)	x	○	●	●
H3PO4(50%)	●	○	●	●
NaOH	●	●	●	●
NaHSO3	●	○	●	●
Na2CO3	●	●	●	●
NaOCL-NaCL	●	x	●	●
H2SO4(85%)	●	○	●	●
H2SO4(98.5%)	x	x	●	●
KMnO4(10%)	●	x	●	●

◆ PRODUCT CLASSIFICATION & CHARACTERISTICS

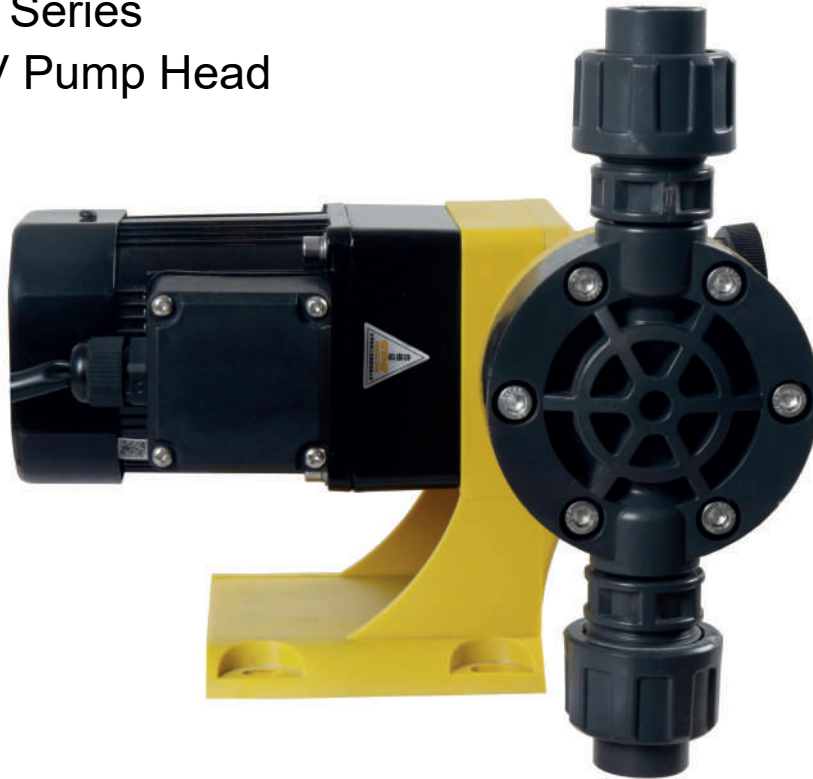


- ▶ MW Series
- ▶ 7~60L/H@10~3 bar
- ▶ Pum Head Material: PVC/PVDF/SS304/SS316 Optional
- ▶ ABS Pump Body & Base
- ▶ Pump Body & Base Colour: Only Yellow
- ▶ Standard Configuration: ACA 15/440V 3 Phase and 110V/220V Single Phase 60 Hz, Special Voltage Needs to be explained
- ▶ Standard Configuration: DN15 Interface Size, Hose Interface Should be explained



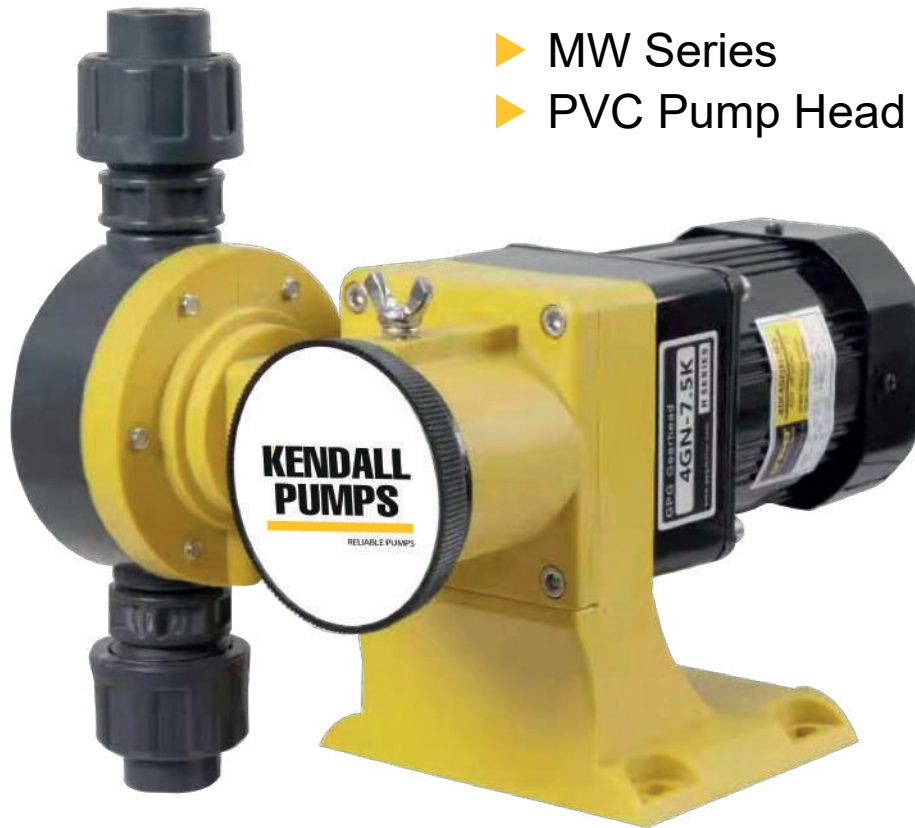
- ▶ ML Series
- ▶ 7~150L/H@10~3 bar
- ▶ Pum Head Material: PVC/PVDF/SS304/SS316 Optional
- ▶ Matel+Anti-rust Paint Pump Body & Base
- ▶ Pump Body & Base Colour: Green/ Yellow/ Blue Optional
- ▶ Standard Configuration: ACA 15/440V 3 Phase and 110V/220V Single Phase 60 Hz, Special Voltage Needs to be explained
- ▶ Standard Configuration: DN15 Interface Size, Hose Interface Should be explained

- ▶ MW Series
- ▶ PCV Pump Head

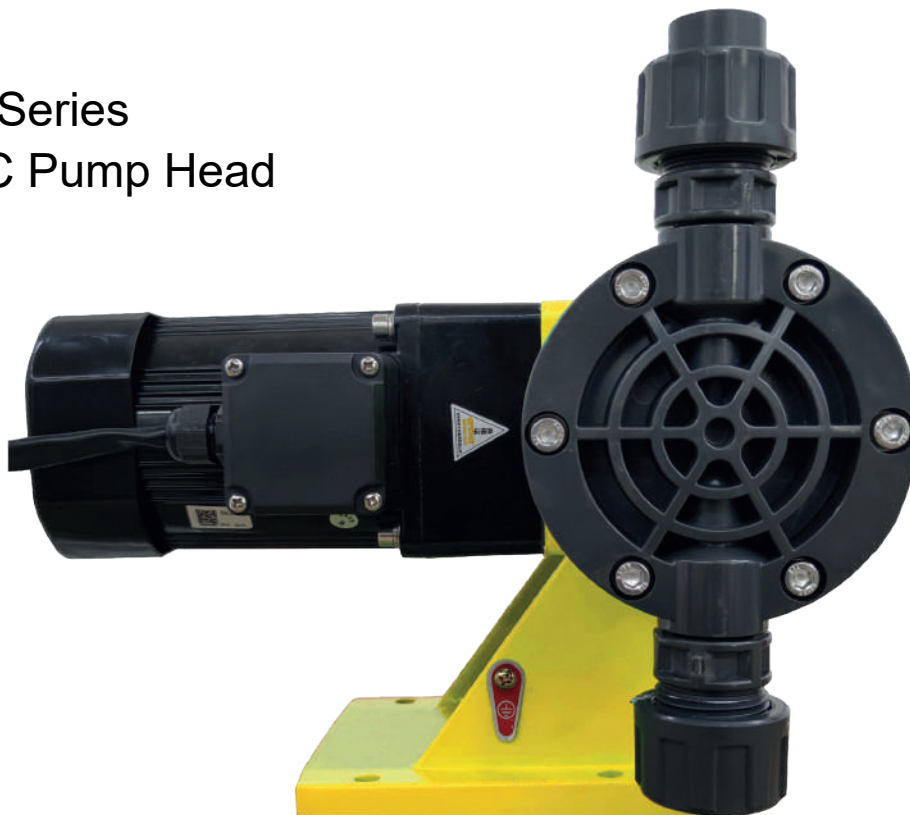


- ▶ MW Series
- ▶ PCV Pump Head

- ▶ MW Series
- ▶ PVC Pump Head

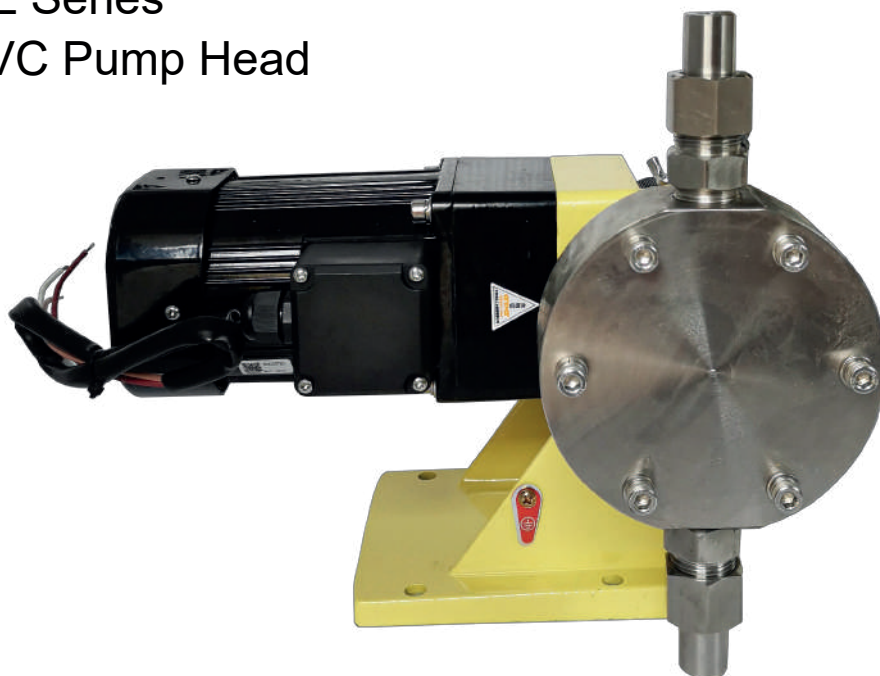


- ▶ ML Series
- ▶ PVC Pump Head

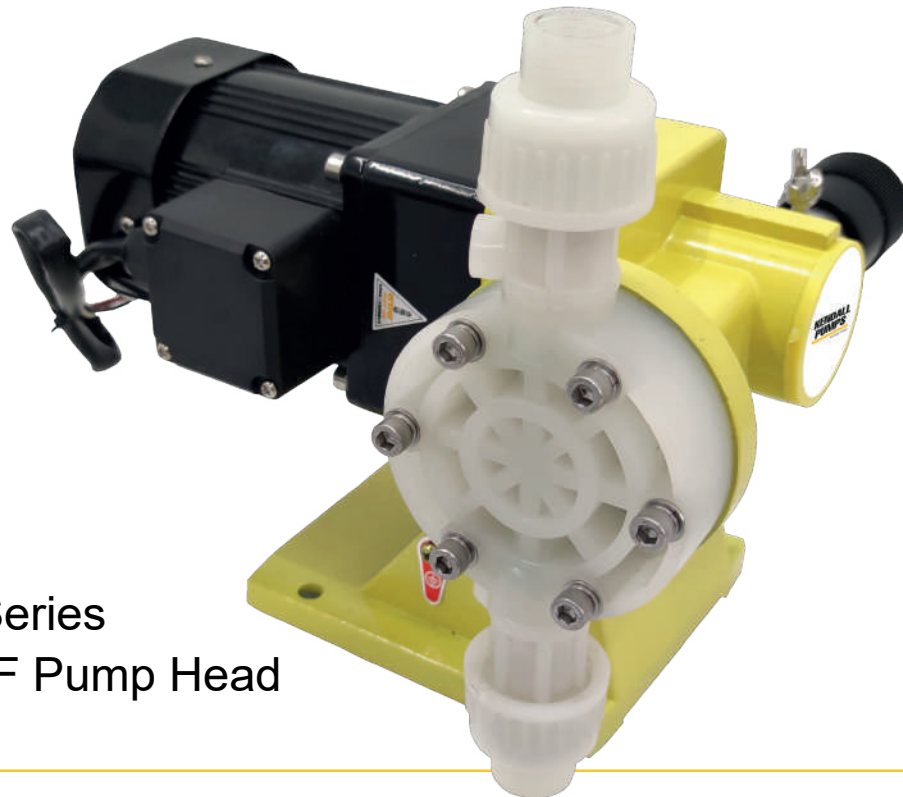




- ▶ ML Series
- ▶ PVC Pump Head



- ▶ ML Series
- ▶ PVC Pump Head



- ▶ ML Series
- ▶ PVDF Pump Head

- ▶ ML Series
- ▶ SS304/SS316 Pump Head



◆ MODEL INTRODUCTION

M□ - □□□ - □□ - □□□		
Code	Pump Parameters	
M	Mechanical Diaphragm Metering Pump	
□	W	W Series 7~60L/H
	L	L Series 7~150L/H
□□□	Flow Rate (L/hr or ml/min)	
□□	Pressure Max (bar)	
□	1	Pump Head - PVC
	3	Pump Head - PVDF
	5	Pump Head - SUS304 or CF8
	6	Pump Head - SUS316L or CF3M
□	1	Power Supply - 380VAC
	2	Power Supply - 220VAC
	3	Power Supply - 420VAC
	4	Power Supply - 110VAC
□	1	Normal Motor
	2	Inverter Motor
	3	Explosion - proof Motor

◆ FOR EXAMPLE

MW - 32 - 07 - 111	
Model Code	Pump Parameters
MW	MW Series Motor Driven Diaphragm Metering Pump
32	Max Flow - 32 L/hr
07	Max Pressure - 7 Bar
1	Pump Head Material - PVC
1	Input Voltage - AC380V/50Hz
1	Motor Type - Normal Motor

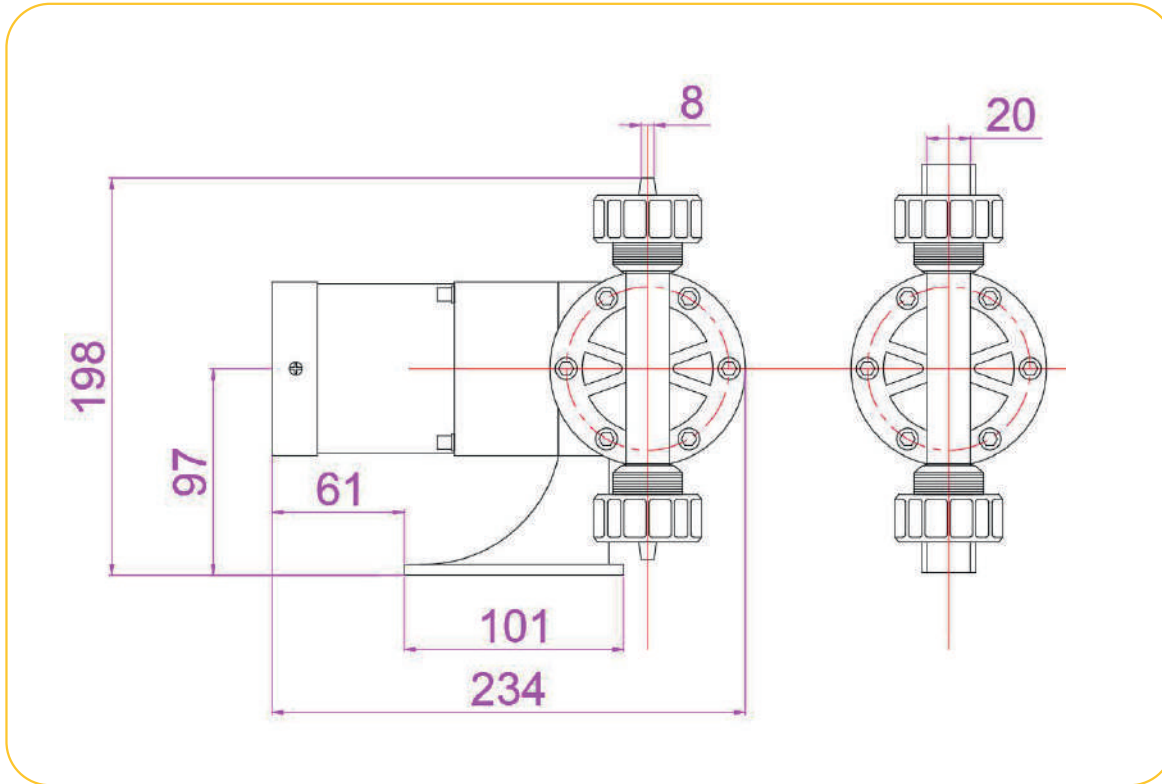


◆ **MW/ML MODELS & PARAMETERS**

Model	Max Flow	Max Pressure	Stroke Length	SPM	Work Voltage	Interface Size	Weight	Pump Body & Base Material	Pump Body Color
MW-07-10	7L/hr	10bar	2mm	90	AC380V/50H Z N=25W	DM15	3.5kg	ABS	Yellow
MW-12-10	12L/hr	10bar	2mm	90					
MW-24-07	24L/hr	7bar	4mm	90					
MW-32-07	32L/hr	7bar	5mm	166					
MW-42-05	42L/hr	5bar	4mm	135	AC380V/50H Z N=40W				
MW-60-03	60L/hr	3bar	4mm	166					
MW-07-10	7L/hr	10bar	2mm	75	Single phase AC220V/50H Z N=40W or Three phase AC380V/50H Z N=40W	DN15	7.3kg	Matel+A nti-rust Paint	Green Yellow Blue
MW-12-10	12L/hr	10bar	2mm	135					
MW-24-10	24L/hr	10bar	4mm	90					
MW-32-10	32L/hr	10bar	4mm	108	Single phase AC220V/50H Z N=60W or Three phase AC380V/50H Z N=60W		7.5kg		
MW-42-10	42L/hr	10bar	4mm	150					
MW-60-10	60L/hr	10bar	5mm	150					
MW-80-5	80L/hr	5bar	4mm	135	Single phase AC220V/50H Z N=90W or Three phase AC380V/50H Z N=90W	DN15	8.5kg		
ML-100-5	100L/hr	5bar	5mm	135					
ML-120-5	120L/hr	5bar	5mm	150					
ML-150-3	150L/hr	5bar	5mm	150					
Illustrate: Special voltage and hose interface need to be stated when ordering									

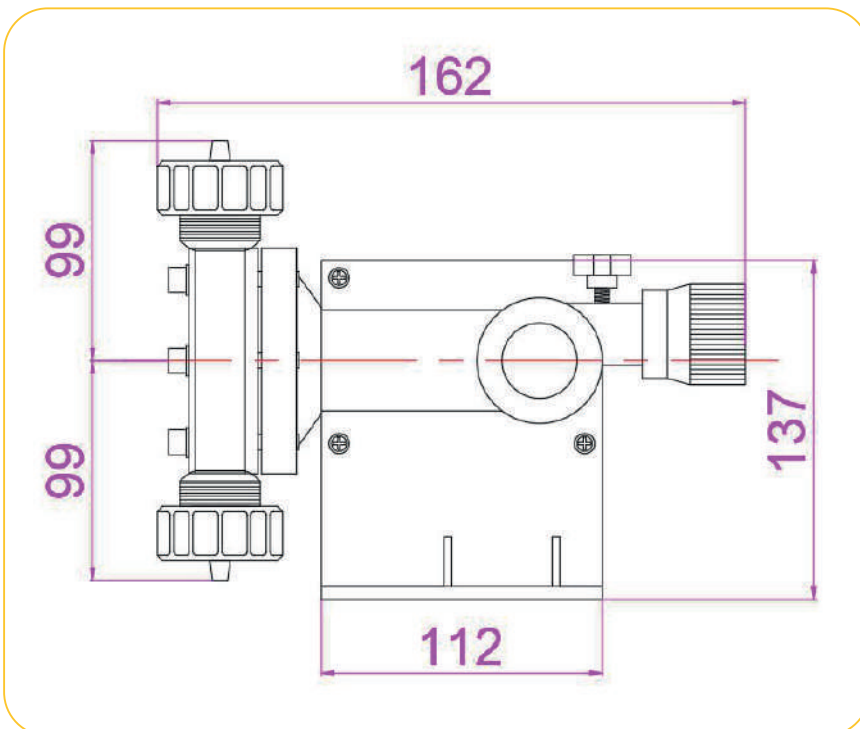
◆ MW/ML MODELS & PARAMETERS
● MW SERIES

8mm Hose / DN15 Pipe

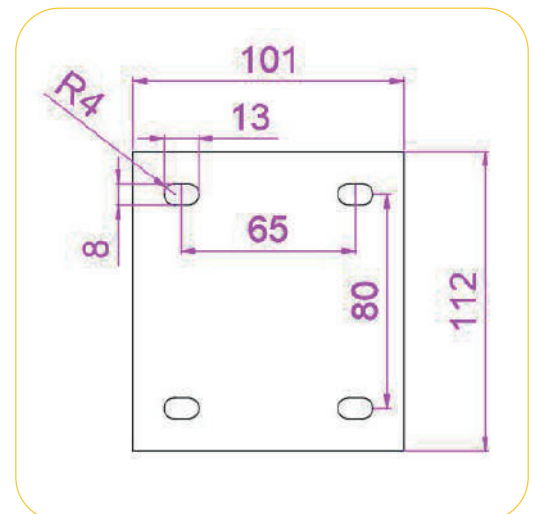


Main View

Unit:mm



Right View

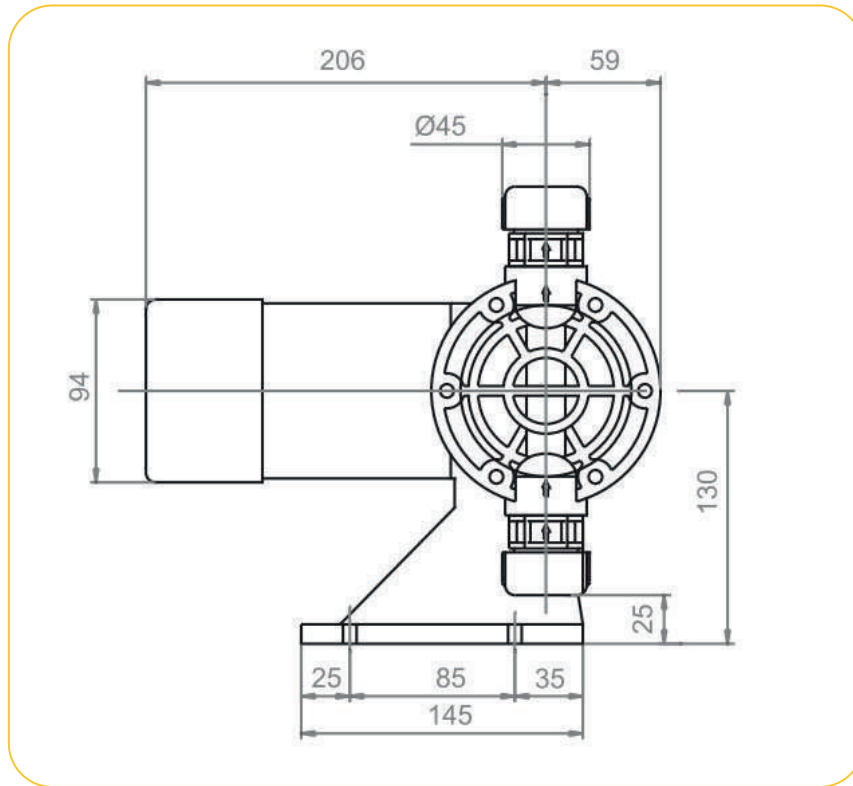


Installation Size

● **ML SERIES**

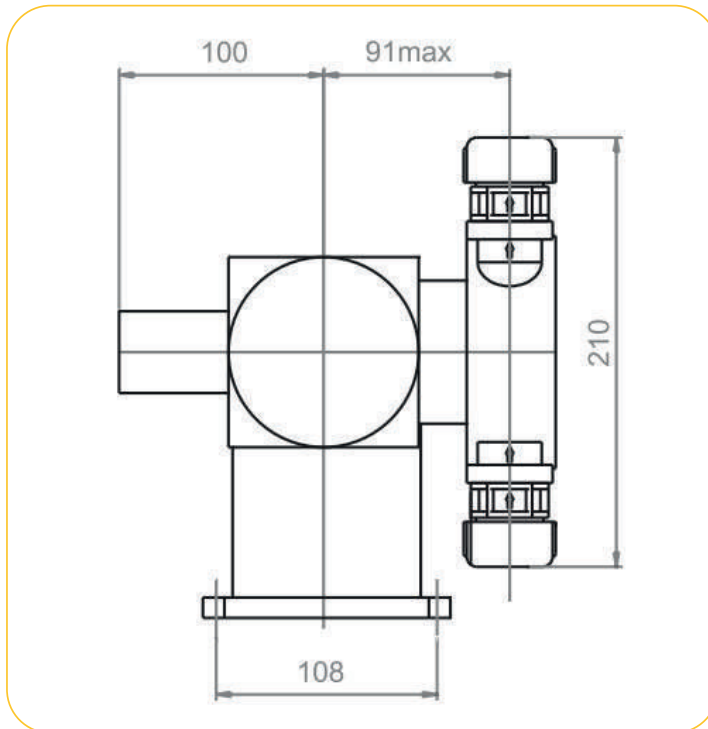
ML7~ML60 USE 8 MM HOSE / DN15 PIPE

ML80~ML150 USE DN15 PIPE

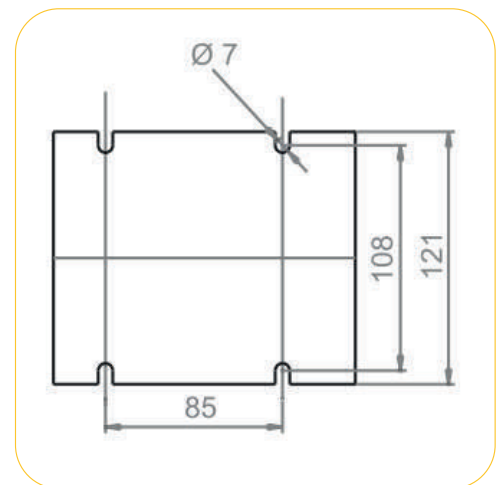


Main View

Unit:mm






Left View



Installation Size

◆ PARTS OF PUMP SHIPPING TOGETHER

Serial Number	Name	Name	Picture
①	Bottom Valve	1 pc	
②	Hose (3 Meters)	1 pc	
③	Injection Valve	1 pc	

KENDALL PUMPS

RELIABLE PUMPS